

SOCIAL SERIES

# LOW ARM CLUB SOCIAL CHAIR

Product No. F150

Create a welcoming environment for your next space. Featuring comfortable, functional, and creative seating options. The Low Arm Club Social Chair is a keystone piece all on it's own or create an adaptable seating arrangement using multiple pieces from the Social series.



Shown with 6" Mod Legs

## DETAILS

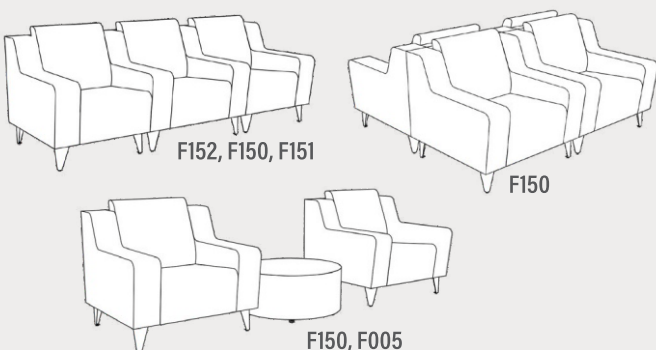
### CONSTRUCTION

- Solid foam construction
- Wood base to fit foot options
- Reinforced seams and stitching
- Made in USA
- Backed with a lifetime warranty

### MODIFICATION

- Textile and placement
- Foot and finish options
- Stitching color
- HPL worksurface
- Power options
- Embroidery


### QUICK COMBOS



education **environments**  
flexible. functional. engaging.

## HOW TO SPECIFY F150

### STEP 1: SEAT HEIGHT

DIMENSION (L x W x H)	SEAT HEIGHT
 35" x 34.75" x 32"	18"

### STEP 2: FOOT

#### 6" PREMIUM FOOT OPTIONS

 Large Sled Leg (S29) Silver	
------------------------------------------------------------------------------------------------------------------	--

\*Reference the product breakdown on back for availability.

### STEP 3: GRADE AND TEXTILE

#### GRADES & SWATCHES FABRIC DIRECTION & COLOR GUIDE

\*Thread will default to match the seat textile.

